



G3 DIGITAL COMBO BREW SYSTEMS

MODELS: CBS, CBP

Revolutionary Design

TWO Ultra-Precision Inlet Valves and Water Level Sensor System provide unsurpassed tea flavor



CBS10000 - ComboBrew System
Shown with TCO421 Oval Tea Dispenser (L) and TLXA-22 Airpot Coffee Dispenser (R).



Safety switch ensures tea brewing only when proper vessel is in place

CBP10000 - Low Profile ComboBrew System

Shown with standard TCO308 Oval Tea Dispenser (L) and ThermoPro TLXP-19 Pour Pot with short brew cone (R).



The Curtis GT ComboBrew. Your SINGLE, simple brewing solution for flavorful iced tea and gourmet coffee!

Now you can brew crystal clear iced tea AND rich, robust coffee from the same precision system. With a simple change of brewing vessel and brew cone the new Curtis G3 ComboBrew provide you that and a whole lot more. At the center of the ComboBrew is Curtis' exclusive G3 Universal Control Module. This sophisticated digital "brain" provides precision control over the entire brewing and operating process. Its pre-programmed factory settings deliver ideal results right out of the carton. Simply add bulk tea leaves, flowthru filter packs or ground coffee, then press the clearly marked brew button for gallons of cool, flavorful iced tea or rich coffee in just minutes.

With the Curtis ComboBrew, quality coffee brewing is not an afterthought... the system has been engineered to provide the same gourmet brewing features as our G3 Airpot system.

ITEM NO

PROJECT

DATE

FEATURES AT A GLANCE

- **G3 Digital Control Module (G3/Technology)** – Offers full brewing programmability with unsurpassed reliability. Allows for gourmet fine-tuning with Pulse-Brewing, Pre-Infusion, Fast-Brew, Dual-Batch and other G3 standard features.
- **Two Preset Buttons for Coffee and Tea** – Allows you to select between small and large brews at the touch of a button.
- **Curtis' Exclusive G3 3-Year Warranty** – Protects your digital investment.
- **Intuitive Scroll-Through Precision Programming** – Large display communicates functions at a glance. Easily adjust time, volume, temperature, brew functions and more.
- **Saves Operating Costs** – Save mode automatically activates when brewer is idle.
- **On-Board Diagnostics Reduce Downtime** – Continual sensing of proper operation. A Service Phone Number and error code will be displayed in the rare event assistance is required.
- **Standard (CBS) and Low-Profile (CBP) Models** – Select the ideal model to suite operational space and volume requirements.

ICED TEA BREAWING FEATURES

- **Factory Set Iced Tea Recipes . . . Regular and Tropical** – For out-of-the-box operation.
- **G3 Enhanced Tea Flavor & Clarity** – Two separate precision valves and G3 technology provide unsurpassed control over concentrate brewing and dilution cycles.
- **"Tuneability"** – Digitally precise adjustments allow for fine tuning of tea's flavor.
- **Automatic Brew Lock-Out Switch for Enhanced Safety** – Tea brewing is only allowed when TCO Dispenser is detected in place.

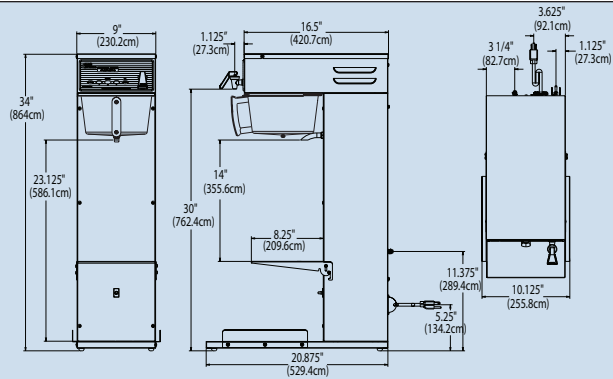
COFFEE BREWING FEATURES

- **Gourmet Fine Tuning Brewing Modes** – Pre-infusion or pulse brew enhances extraction of gourmet coffee flavor.
- **Adjustable Shelf** – Accommodates brewing into smaller airpots and other serving vessels.



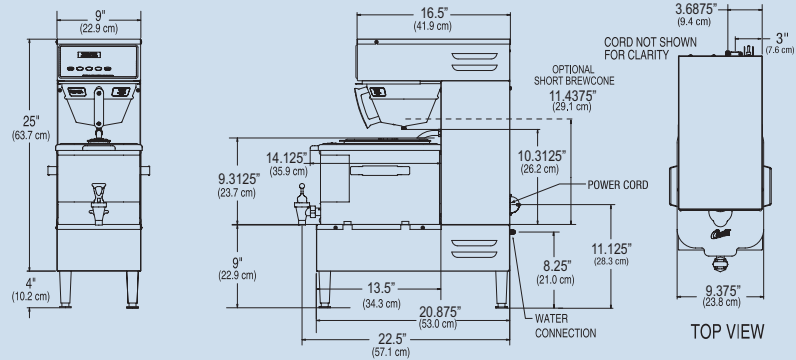
CBS

(Dispenser Not Included)



CBP Low Profile

(TCO 308 Dispenser Included)



Specifications	CBS	CBP
Finished Brew Capacity	3 to 5 Gallons	3 Gallons
Dimensions (H x W x D)	34" x 10.125" x 20.875"	29" x 9" 20.875"
Faucet Clearance	N/A	9"
Voltage	120AVAC/60Hz	120AVAC/60Hz
Power Requirements	1675W/14A	1700W/14.2A
Cord & Plug	6 ft/NEMA 5-15P	6 ft/NEMA 5-15P
Water Inlet	1/4" Flare	1/4" Flare
Shipping Weight	38 lbs.	46 lbs.
Cube (cu. ft)	9.14	7.5

Accessories for Coffee	CLXP64	TLXP19	TLXA25	TLXA22	TLXA30	CAP-T1
Description	Thermal Pour Pot	Thermal Pour Pot*	Airpot Lever*	Airpot Lever (CBS only)	Airpot Lever (CBS only)	Gravity Thermal Server w/base (CBS only)
Capacity	64 oz./1.9L	64 oz./1.9L	2.5L	2.2L	3.0L	2.5L
Dimensions(H")	7.25"	11.5"	11"	13"	12"	16.75"

* Requires optional WC-37242 short brewcone on CBP.

Accessories for Tea	TC-3H	TC-5H-S	TCO308	TCO421
Description	Round Tea Dispenser	Round Tea Dispenser	Oval Tea Dispenser with EZVU-Brew Thru/Solid Lid Combination	Oval Tea Dispenser
Capacity	3.5 gal.	5 gal.	3 gal.	4 gal.
Dimensions(H")	22.75"	23"	9.875"	21.75"



WILBUR CURTIS COMPANY, INC.
 6913 Acco Street, Montebello, CA 90640-5403
 Telephone: 800-421-6150 · 323-837-2300
 Fax: 323-837-2406
 www.wilburcurtis.com

